

Packing the Boxer 4K30 Light Engine

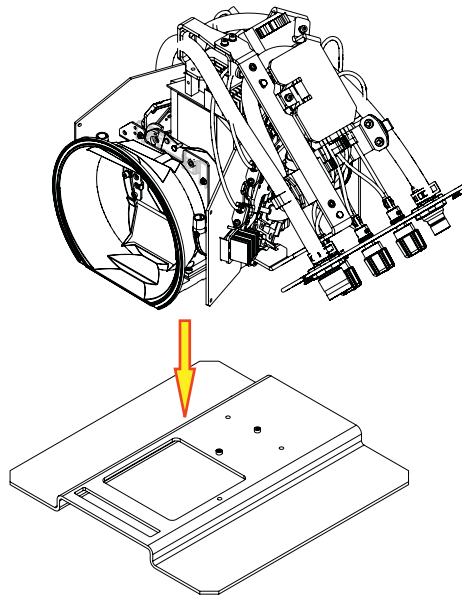
These instructions provide details for properly packaging the Boxer 4K30 light engine for transportation.

Tools required

- 3mm hex driver

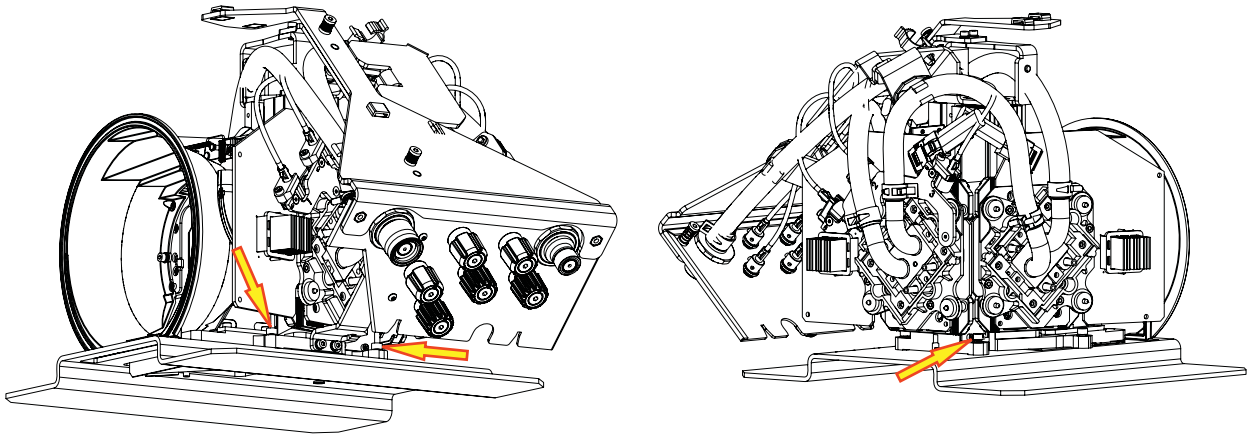
Packing the light engine

1. Place the light engine onto the shipping base plate.

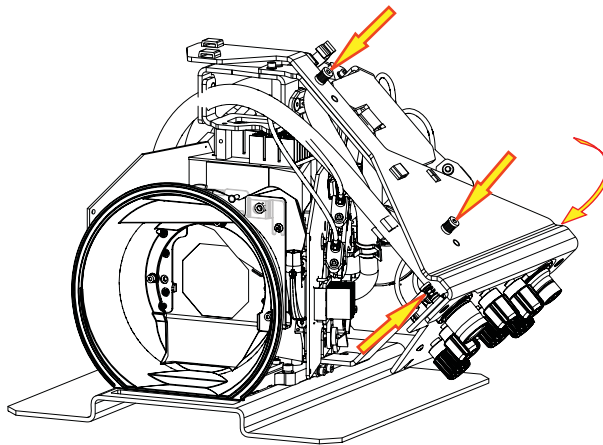


2. Install the three screws to secure the light engine to the shipping base plate.

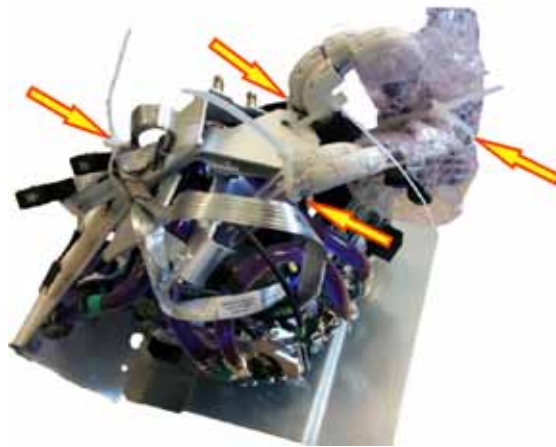
Two captive screws are part of the light engine and the third is a loose screw only used for packaging. Do not use this screw when installing the light engine into the projector.



3. Install the shipping bracket used to retain the convergence interface plate.
4. Tighten the four captive screws.



5. Install zip ties to secure the hoses and mini SAS harnesses to the shipping bracket.



6. Place the light engine and base plate assembly into the ESD bag.
7. Tape the ESD bag together to cover the light engine.
8. Place the light engine into the packaging insert tray.

The convergence plate side must face against the fixed vertical side of the tray.

The light engine base plate must sit flat underneath the plastic lip.



9. Insert the outer cardboard sleeve into the box.



10. Place the light engine and insert tray into the box.



11. Seal the packaging box for transportation.